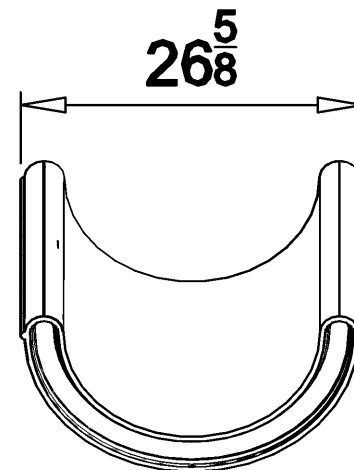
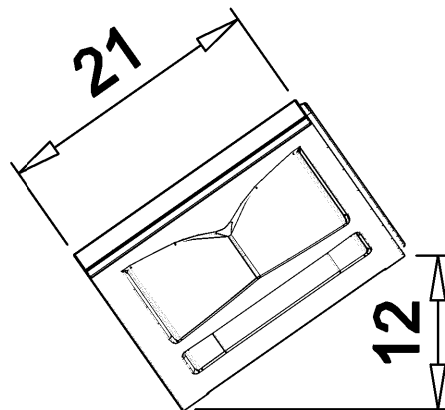


SG,STR,DOUBLE



SG,STRAIGHT