

USER GROUP: 5-12 Years
 RECOMMENDED CREW: 1 Person

TOOLS REQUIRED:

- SH-41 Allen Wrench (Included)
- Tape Measure
- Drill Bits: None

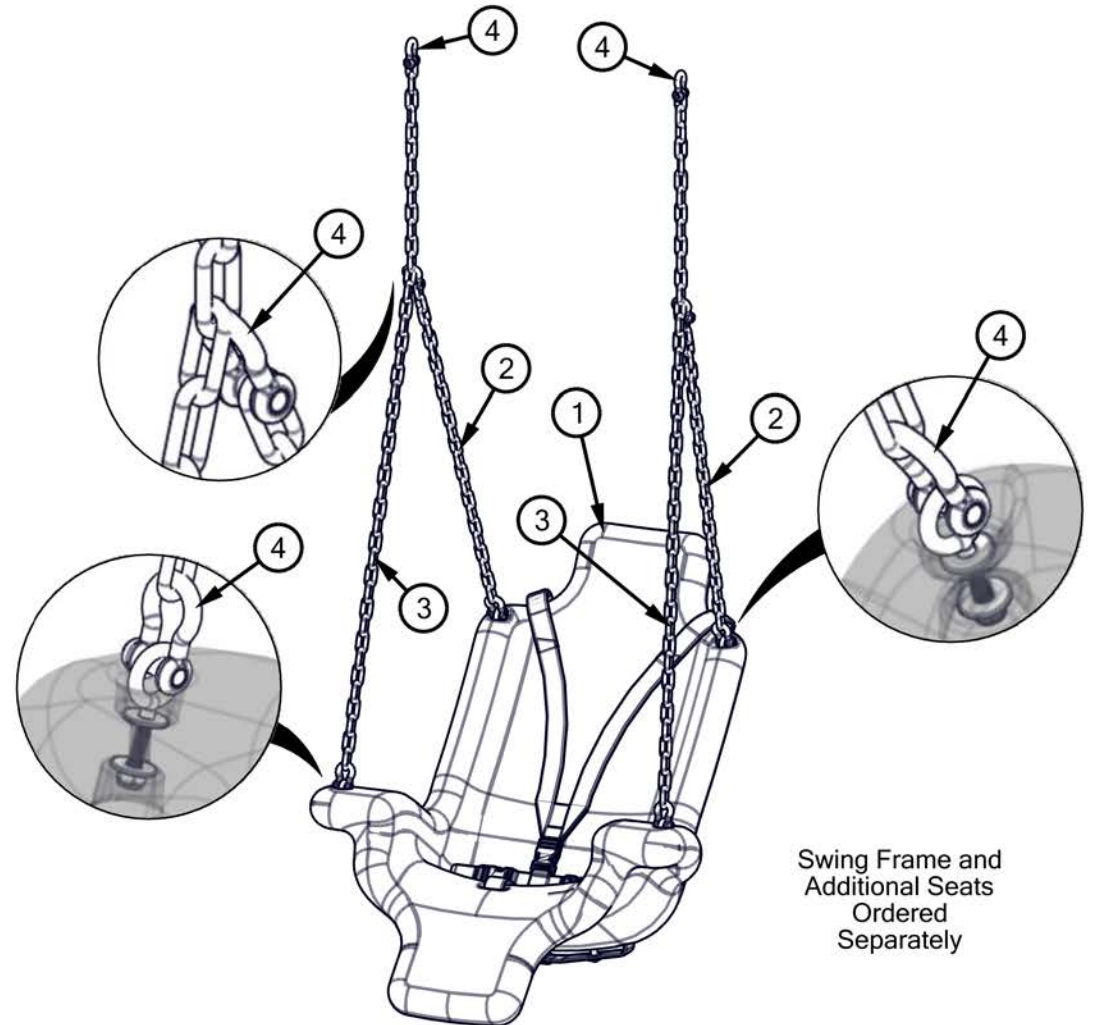
NOTE: Apply Thread Locking Solution to ALL Non-Patched Hardware with Threads!

INSTALLATION TIME: 1/2 Hour

WEIGHT: 57 lbs.

CONCRETE REQUIRED: None

| ITEM | Part No. | QTY | DESCRIPTION |
|------|-----------|-----|--|
| 1 | ADP-07-XX | 1 | Adaptive Swing w/ Eyebolts & Swing Seat Harness - Color Varies |
| 2 | H-40-33l | 2 | Galvanized, 4/0, Heavy Duty, Chain, Cut to 33" |
| 3 | H-40-76l | 2 | Galvanized, 4/0, Heavy Duty, Chain, Cut to 76" |
| 4 | SH-40 | 8 | Shackle Clevis (SH-40) Galvanized |
| 5 | SH-41 | 1 | SH-41 Allen Wrench |



Swing Frame and
 Additional Seats
 Ordered
 Separately

PRE-INSTALLATION CHECK:

Customer is responsible for verifying materials received by comparing received items with packing list. If any parts are missing or damaged, including documentation, contact your local sales representative immediately.

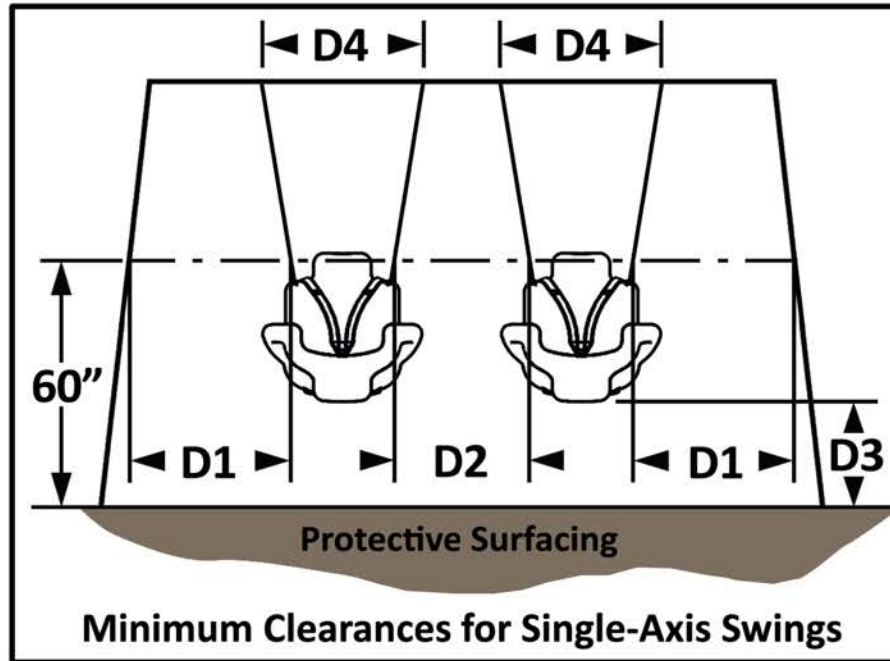
Supplier is not responsible for items discovered missing after 72 hours from time of delivery.

Before beginning installation, all installers must read and understand the Installation Introduction manual as supplied. If you did not receive a copy, or if you have any questions regarding any information in the Installation Instructions or this Installation Guideline, contact your local sales representative.

STEP 1

Verify spacing of chains and swings. Use Detail Chart 1-1 to verify proper hanger spacing and chain length based upon environment and surfacing elevation. Swings should be weighted before measuring. If chains require modification, cut excess chain from end of 76" chain without protective covering. **DO NOT CUT 43" chains.** **DO NOT** attach swing chains or seats to swing frame until play area is open and available for use.

Detail Chart 1-1



| REASON | DIMENSION | TODDLER FULL BUCKET | PRESCHOOL-AGE BELT | SCHOOL-AGE BELT |
|---|-----------|---------------------|--------------------|-----------------|
| Minimizes Collisions Between A Swing and Supporting Structure | D1 | 20 Inches | 30 Inches | 30 Inches |
| Minimizes Collisions Between Swings | D2 | 20 Inches | 24 Inches | 24 Inches |
| Allows Access | D3 | 24 Inches | 12 Inches | 12 Inches |
| Reduces Side-to-Side Motion | D4 | 20 Inches | 20 Inches | 20 Inches |

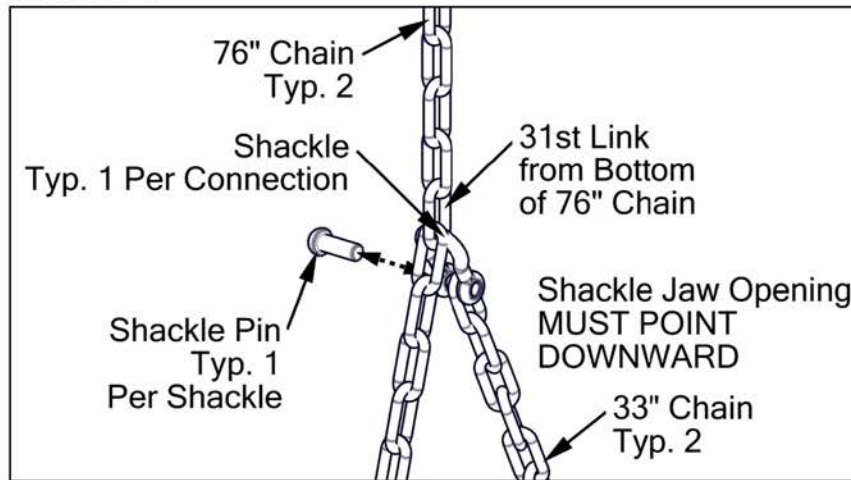
Cut 76" Chains at Uncovered Ends Typ. All



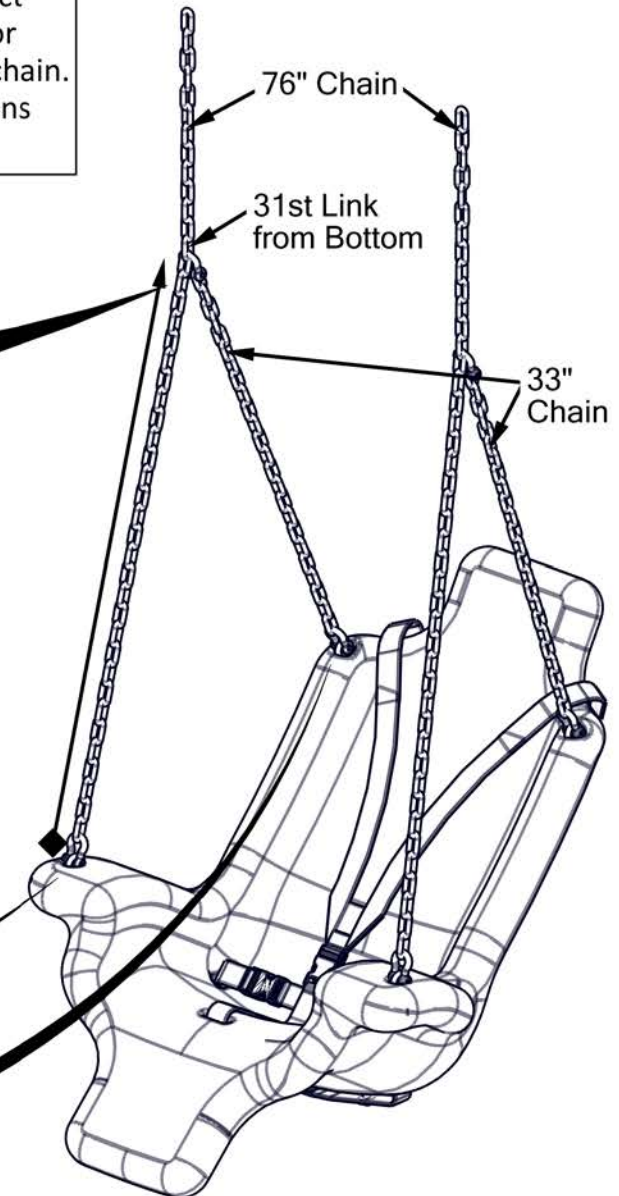
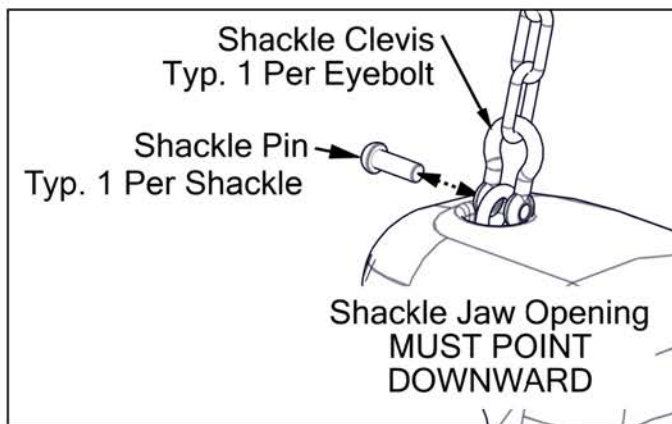
STEP 2

Connect bottom link of one (1) 76" chain to lower front eyebolt with one (1) shackle clevis. Connect bottom link of one (1) 33" chain to upper rear eyebolt with one (1) shackle clevis. See Detail 2-1 for common connection. Use one (1) shackle clevis to connect top link of 33" chain to same side 76" chain. Top link of 33" chain **MUST BE ATTACHED** to 31st chain link from bottom of 76" chain. Ensure chains are straight and untwisted. See Detail 2-2. Repeat for opposite side set of chains.

Detail 2-2



Detail 2-1



STEP 3

Connect top chain ends to top cross bar. Straighten chain. Ensure chain has no binds or kinks. If top cross bar has pendulum hangers, shackles are not required. Remove pendulum pin, insert chain, and replace pendulum pin through chain end. Repeat for all chain to pendulum hanger connections. If top cross bar has closed hangers, remove shackle pin, hook shackle through closed hanger, and replace shackle pin through end of chain. Opening of shackle jaw **MUST POINT DOWNWARD**. Repeat for all chain to hanger connections. Do not attach swing chains or seats to swing frame until play area is open and available for use. Place one Age Appropriate sticker onto swing frame in a clearly visible location. Installation is complete.

