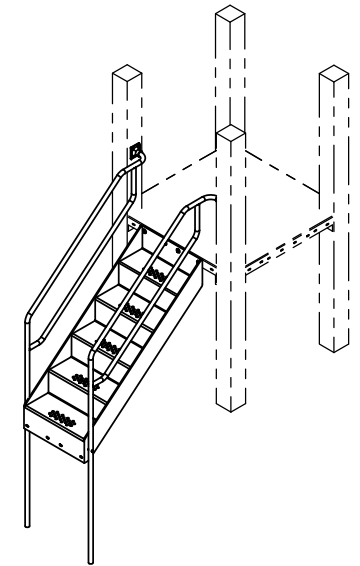
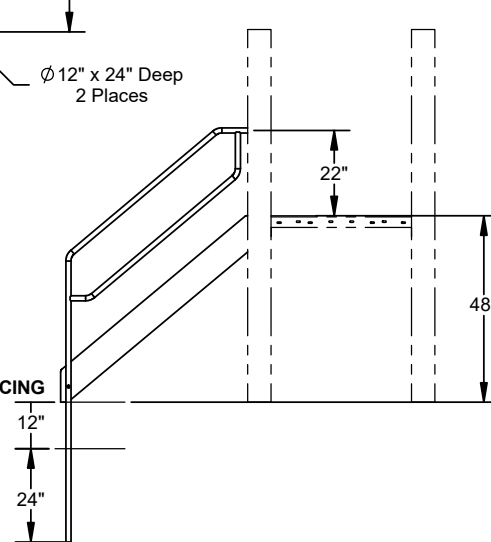


Footings Diagram

PROTECTIVE SURFACING

GRADE



ItemNum.	QTY	ID	DESCRIPTION
01	1	PFM21857XX	Stair - 48" Standard
02	1	HRA07516XX	Wldmt. - 48" Handrail L.H. - CWS
03	1	HRA07514XX	Wldmt. - 48" Handrail R.H. - CWS
04	2	CTG14927XX	Fitting - REC Pipe Mount (Coated)
05	2	HWS0096	Screw 3/8"-16 x 3/8" Allen Set
06	10	HWWR0092	Washer 3/8" ID x 1-1/4" OD Flat SS
07	2	HWB0305	Bolt - 3/8"-16 x 2-1/4" Security Torx With Patch
08	4	HWB0286	Bolt - 3/8"-16 x 1-1/4" Security Torx With Patch
09	6	HWN0098	Nylon Lock Nut - 3/8" SS
10	1	3019000	3019000



Rev Date & Description:
Rev. A 01/30/2019 ET
 Revised per ECN 2019-003.

Rev Date & Description:

Superior Recreational Products

THIS DOCUMENT AND THE INFORMATION CONTAINED HEREIN IS THE EXCLUSIVE PROPERTY OF SUPERIOR RECREATIONAL PRODUCTS AND HAS BEEN PROVIDED TO YOU IN CONFIDENCE. THIS DOCUMENT AND THE INFORMATION HEREIN MAY NOT BE DISCLOSED OR PROVIDED TO ANY THIRD PARTY OR USED, COPIED, PHOTOGRAPHED OR OTHERWISE REPRODUCED WITHOUT PRIOR EXPRESS WRITTEN PERMISSION OF SUPERIOR RECREATIONAL PRODUCTS.

1050 Columbia Drive, Carrollton GA 30117
 Toll Free: 800-327-8774 Local: 770-832-6660

Drawn By:
 sherrip

Date:
 07-23-2004

Material:

Description: CWS 48" Stair w/handrails

Tol: ±.0625 Unless Otherwise Specified Drawing Number: TCW03335XX

Weight: 308.55	Size: B	Units: Inch	Rev: 01	Scale: 1:32	Sheet: 1 of 1
-------------------	------------	----------------	------------	----------------	------------------

IDS.